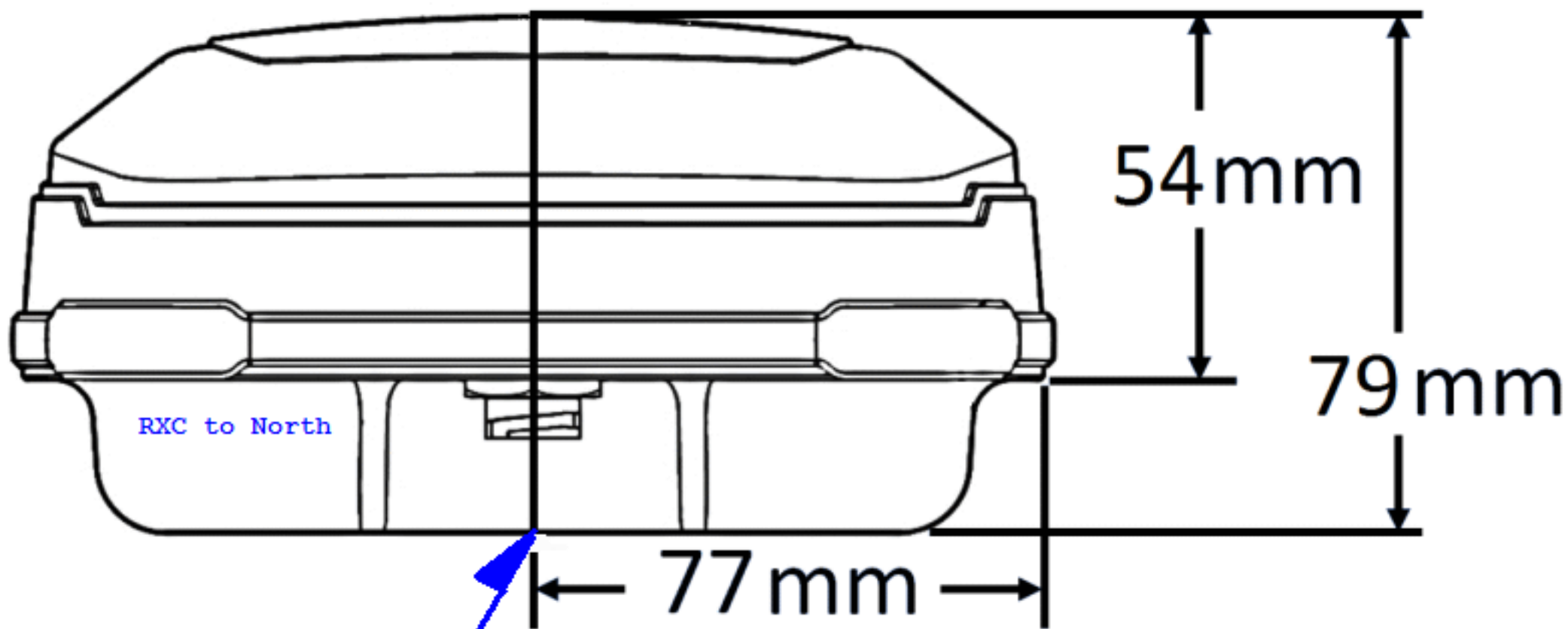


# HEMATLASLINK+NONE



Reference surface for  
NGS vertical offset  
measurements

ARP = BAM